

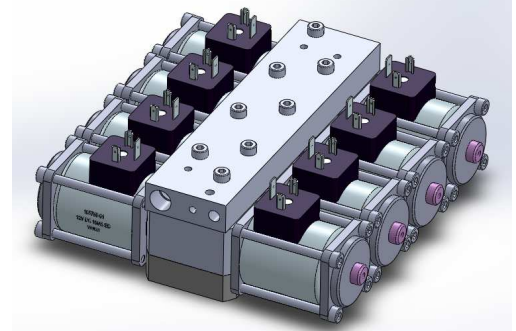
# Janus

## CONTROL VALVE

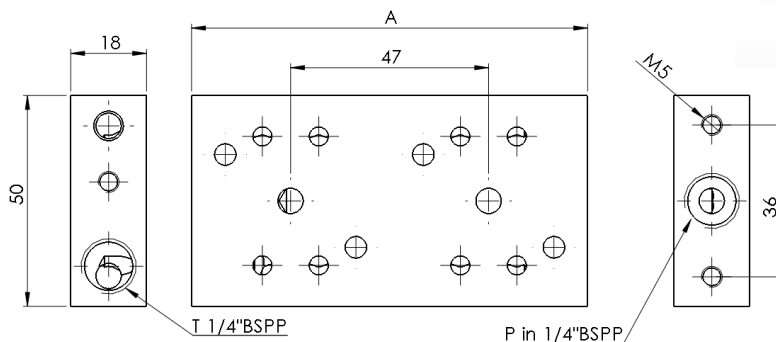
## MANIFOLDS

Available in 1 to 4 stations all 4 versions also available with or without additional relief valve porting and produced in 316 stainless steel. The manifolds will accept the 3/2, 4/2 and 4/3 configurations valves in all actuation configurations such as solenoid, pilot or manual. Maximum Flow rate 30 L/min without integral relief 22l/min if 2M07BXSWS is incorporated.

NO. OF STATIONS	1	2	3	4
Dimension A	47	94	141	188



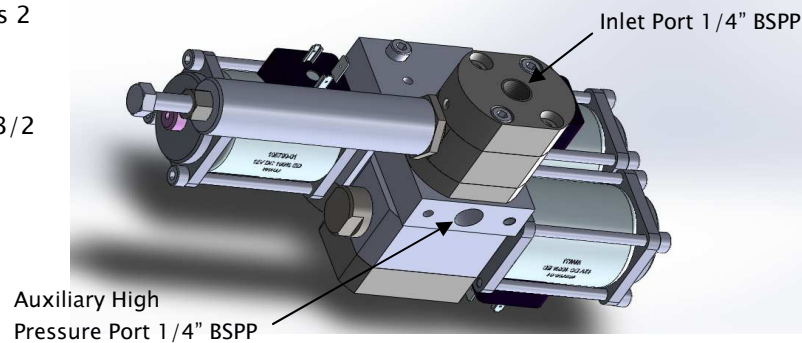
### Dimensions



### Assembly Layout

Example: 2 station manifold 6manir2 with relief 2M07BXSWS, 3/2 valve & 2M06BBSW 4/3 valve

The relief valve has 2 through bolts that fasten through the manifold into the 3/2 valve opposite



ORDERING CODE	1 STATION	2 STATION	3 STATION	4 STATION
STAND ALONE	6MANI1	6MANI2	6MANI3	6MANI4
INCLUDING RELIEF PORTS	6MANIR1	6MANIR2	6MANIR3	6MANIR4

The Water Hydraulics Co. Ltd.

Alexandra House, English Street, Hull, East Yorkshire, HU3 2DJ, United Kingdom.

Tel: +44 (0)1482 595000, Fax: +44 (0)1482 214895, E-Mail: sales@waterhydraulics.co.uk. Registration Number: 4302081 England

Website: www.waterhydraulics.co.uk

Whilst every endeavour has been made to ensure accuracy, this publication cannot be considered to represent part of any contract, whether expressed or implied. The publishers reserve the right to amend specification at their discretion.