

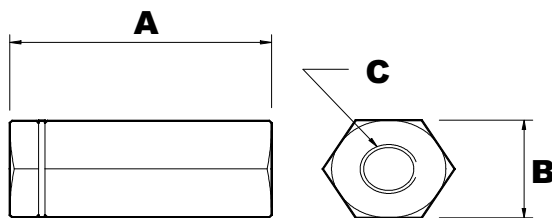
Janus

CONTROL VALVE

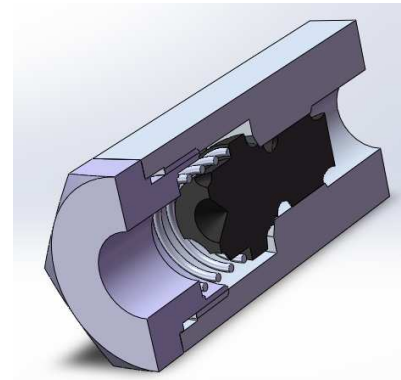
CHECK VALVES

A unique range of valves that are supplied in 316 stainless steel and high grade engineering polymer as standard. For operation on tap water to EU directive 98/83/EC. Available in 3 sizes the range offers consistent performance even after lengthy periods of inactivity.

SPECIFICATION				
	DN6	DN9	DN12	DN16
Pressure Range (bar)	0.1 – 200	0.1—200	0.1—200	0.1—200
Feed Gallery Diameter	6	9.5	12.7	16
Cv	0.65	0.65	1.92	4.5
Max Flow rate L/min	30	50	60	100
“A” Length	58	89	100	90
“B” A/F	28	28	33	38
“C” Thread	1/4” BSPP	3/8” BSPP	1/2” BSPP	3/4” BSPP




Dimensions in mm



The sealing and control of flow occurs at 2 separate positions within the valve. This ensures the seals are not subjected to high fluid velocities minimising the potential of seal flow erosion.

Cracking Pressure

Cracking pressures from 0.1 bar to 3 bar are available. Standard valves are offered with 0.6 bar. If specific cracking pressures are required specify with order.

ORDERING CODES	DN6	DN9	DN12	DN16
 Check Valve	210BXS	210CXS	210DXS	210EXS

The Water Hydraulics Co. Ltd.

Alexandra House, English Street, Hull, East Yorkshire, HU3 2DJ, United Kingdom.

Tel: +44 (0)1482 595000, Fax: +44 (0)1482 214895, E-Mail: sales@waterhydraulics.co.uk. Registration Number: 4302081 England

Website: www.waterhydraulics.co.uk

Whilst every endeavour has been made to ensure accuracy, this publication cannot be considered to represent part of any contract, whether expressed or implied. The publishers reserve the right to amend specification at their discretion.



FM 87247

Janus

CONTROL VALVE

PILOT OPERATED CHECK VALVE

Available as a bolt on option to the 4/3 and 4/2 directional control valve or as an individual valve, the PO Check offer bubble tight 100% seal operation for load or pressure holding applications.

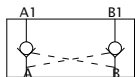
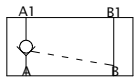
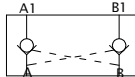
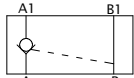
SPECIFICATION	
Max Inlet Pressure	200 bar
Operating Pressure Range	1 to 160 bar
Flow Range	0-30 L/min
Flow Characteristics 3:1	CV Rate 0.62 Kv Rate 0.75
9:1	Cv Rate 0.41 Kv Rate 0.50
Feed Gallery Diameter	9:1 4mm 3:1 6mm
Porting	1/4" BSP (Parallel)
Construction Materials	A.I.S.I 316/Polymer

To accommodate for a wide range of pilot operating pressures the valves are offered in 3:1 and 9:1 pilot to seal area ratios. This will allow the actuation of the valve to be controlled with minimum input and prevent operation from residual pressures



Available in single port or double port checked versions the valve can be used for locking a water cylinder in a stationary position. Actuation can only occur when the required pilot pressure is available

The design is available as a bolt on accessory for the 4/3 and 4/2 directional valves. A port adaptor block also is available for remote use, eg cylinder mounted.

ORDERING CODES	STANDARD BUILD	MANIFOLD MOUNT
 Double PO Check Valve 3:1 Ratio	213BJSW	2M13BJSW
 Single PO Check Valve 3:1 Ratio	211BJSW	2M11BJSW
 Double PO Check Valve 9:1 Ratio	222BJSW	2M22BJSW
 Single PO Check Valve 9:1 Ratio	219BJSW	2M19BJSW

The Water Hydraulics Co. Ltd.

Alexandra House, English Street, Hull, East Yorkshire, HU3 2DJ, United Kingdom.

Tel: +44 (0)1482 595000, Fax: +44 (0)1482 214895, E-Mail: sales@waterhydraulics.co.uk. Registration Number: 4302081 England

Website: www.waterhydraulics.co.uk

Whilst every endeavour has been made to ensure accuracy, this publication cannot be considered to represent part of any contract, whether expressed or implied. The publishers reserve the right to amend specification at their discretion.

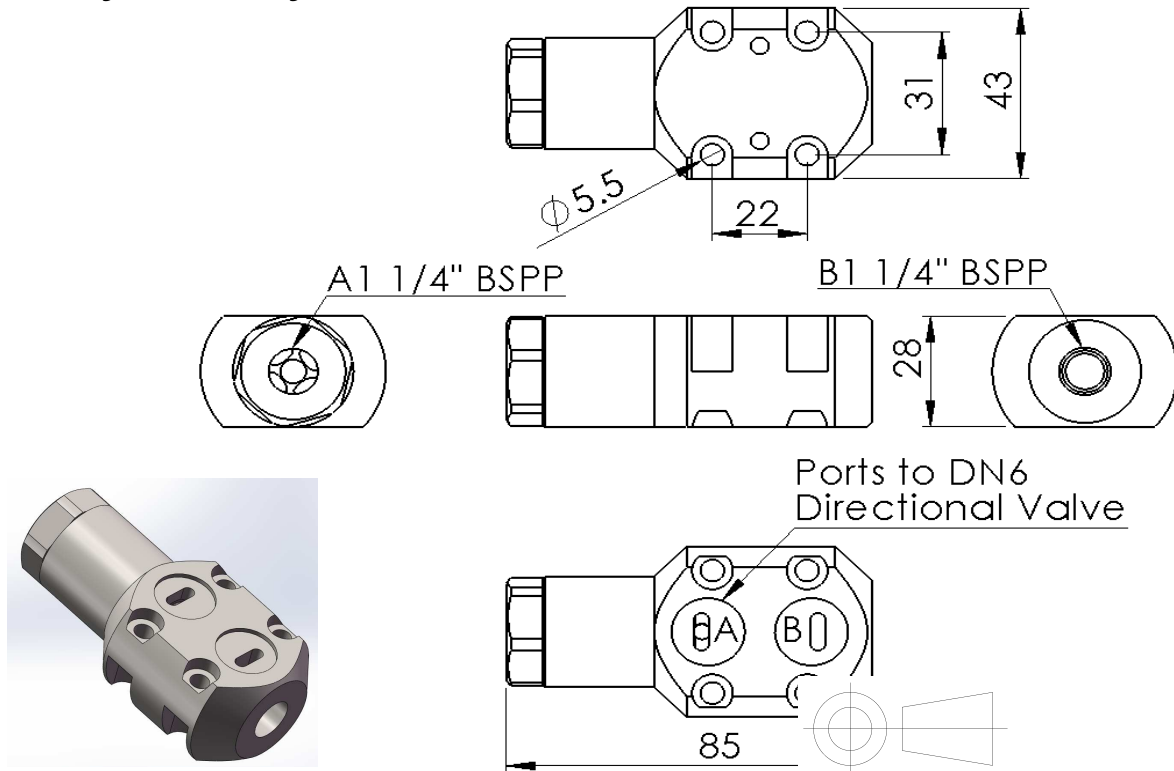


Janus

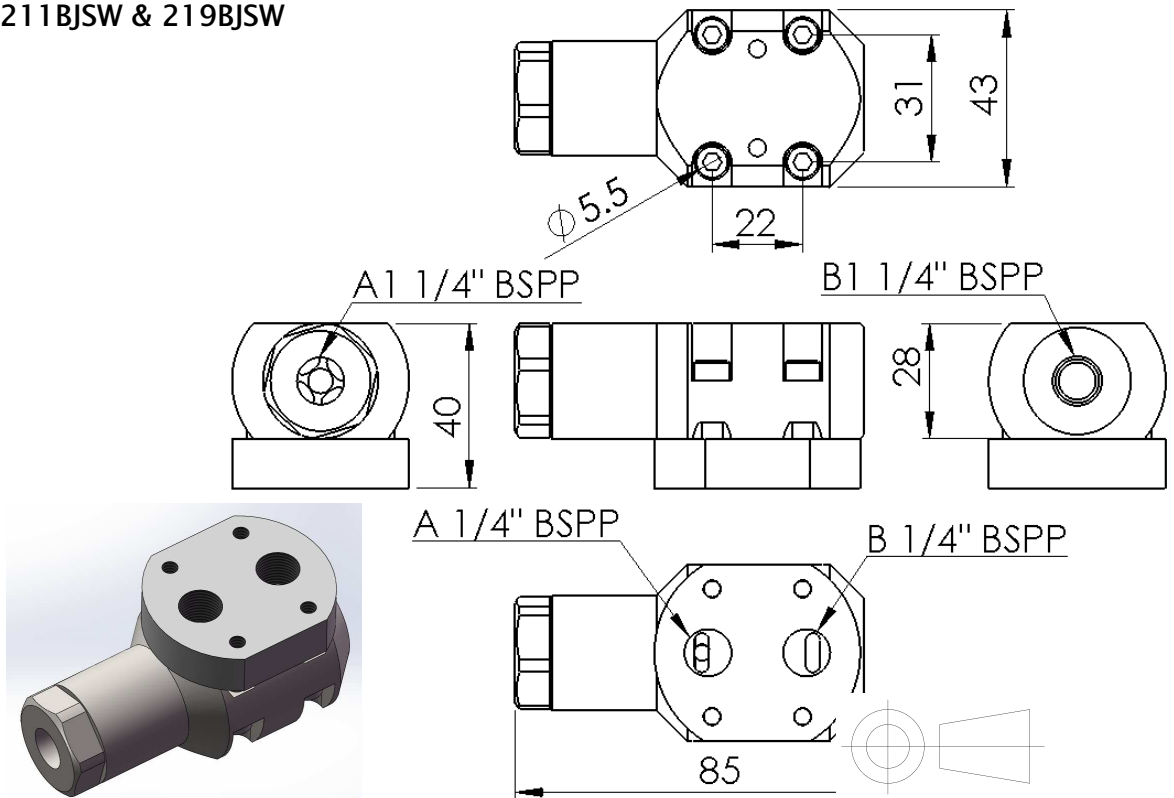
CONTROL VALVE

PILOT OPERATED CHECK VALVE

2M11BJSW & 2M19BJSW



211BJSW & 219BJSW



The Water Hydraulics Co. Ltd.

Alexandra House, English Street, Hull, East Yorkshire, HU3 2DJ, United Kingdom.

Tel: +44 (0)1482 595000, Fax: +44 (0)1482 214895, E-Mail: sales@waterhydraulics.co.uk. Registration Number: 4302081 England

Website: www.waterhydraulics.co.uk

Whilst every endeavour has been made to ensure accuracy, this publication cannot be considered to represent part of any contract, whether expressed or implied. The publishers reserve the right to amend specification at their discretion.

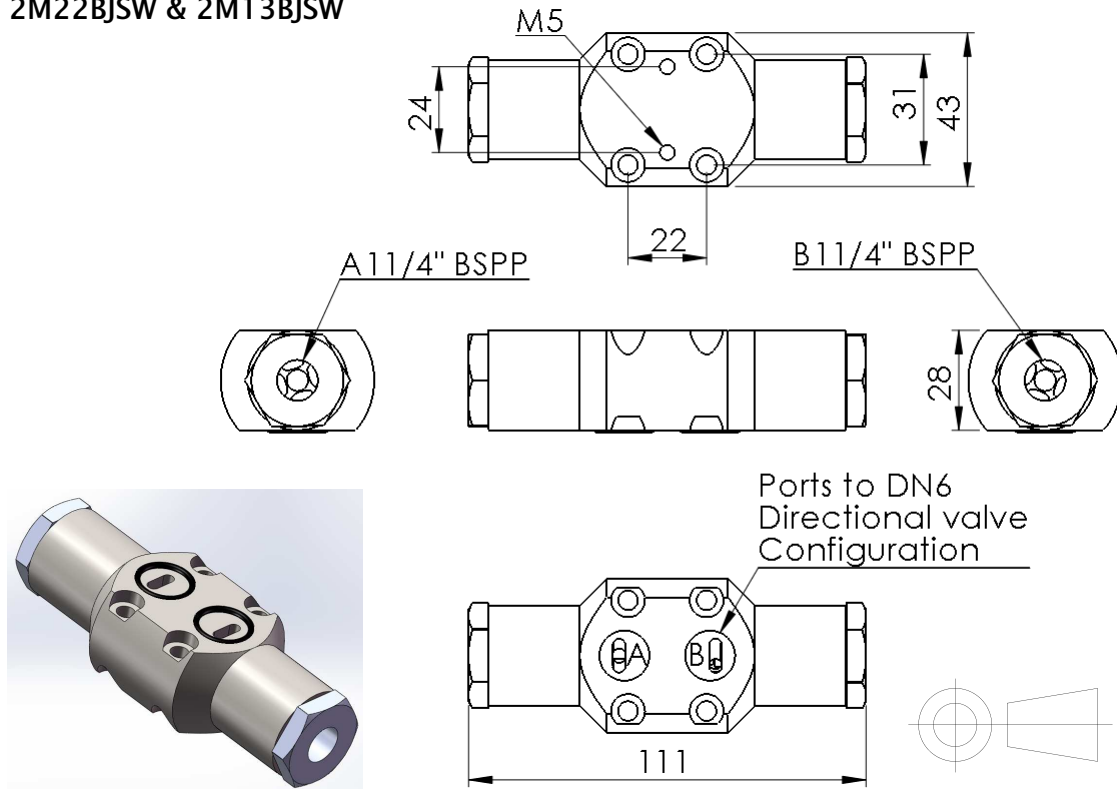


Janus

CONTROL VALVE

PILOT OPERATED CHECK VALVE

2M22BJSW & 2M13BJSW



222BJSW & 213BJSW

